

# UltraEase™ Series

## BNC, RCA and Pin type “F” Connector Product Information

**CORNING**  
Discovering Beyond Imagination

### Broadband Products

#### Connector Specifications

**BNC:**  
75 Ohm BNC interface with gold plated push out pin.

**F male:**  
Male interface meets SCTE-IPS-SP-401 after installation

**RCA:**  
Gold plated pin and outer conductor for compatibility with consumer equipment

The Corning Gilbert UltraEase™ family has grown from four feed thru F male connectors to include RCA, BNC and pin type F male connectors. The RCA and BNC connectors are available for 59, 6, and mini coax series of cables. The pin type F male connector is available for mini coax-cables.

All of these connectors have an innovative push out pin (patent pending) that eliminates blind entry when installing.

UltraEase compression technology provides 360 degrees of contact to the cable, providing excellent RF shielding integrity.

The UltraEase design gives the lowest activation force available in a high performance compression connector. This one-piece design eliminates any loose parts. Connectorization can be performed rapidly and consistently without the risk of misalignment of multiple parts.

For information on “F” feedthru UltraEase for 59 and 6 series cables, see product information G-1400-642



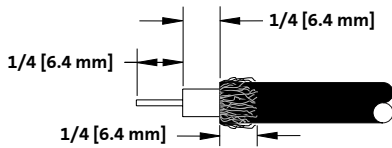
**Materials and Construction of Connector Components:**

**Body**  
Black UV resistant polymer

**Shell & Body**  
C36000 Brass Alloy with nickel plating

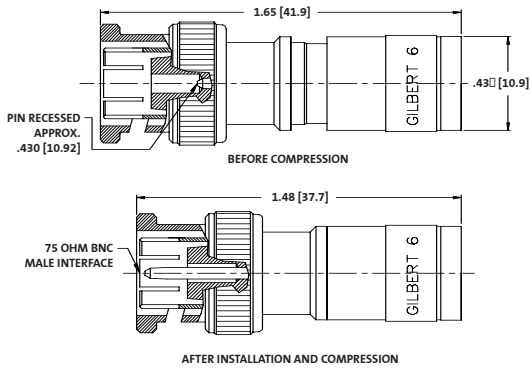
**Post**  
C36000 Brass Alloy with bright tin plating

**Cable Preparation**  
One step cable preparation of 1/4" [6.5 mm] Braid and Dielectric and 1/4": [8.0 mm] center conductor

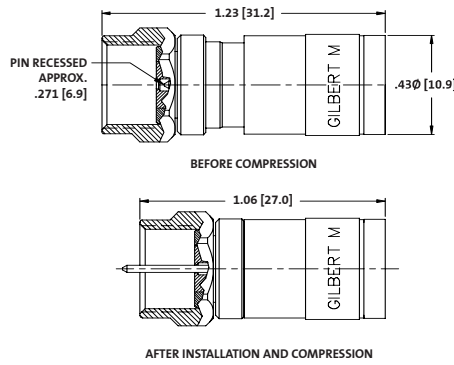


**Product Features and Benefits**

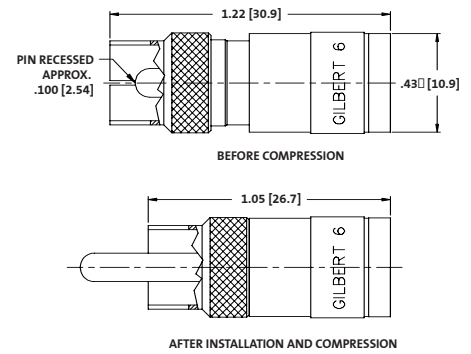
- 360° radial compression (patent pending) at the connector/cable interface provides excellent RF shielding.
- Each connector is marked by a color coded label which displays "GILBERT" and the cable series.
- Lowest activation force available in a high performance compression connector.
- All series of connectors incorporate a gold plated pop up pin to eliminate blind entry. (patent pending).
- One-piece construction eliminates lost or mismatched components, all center pins are incorporated into the connector body.
- One-step cable preparation using industry accepted trim tools.
- Uses commonly available compression tools. "F" series connectors are compatible with existing UltraSeal® compression tools.
- All exposed metal surfaces are nickel plated on BNC and "F" series connectors for superior corrosion resistance.
- "F" series is compatible with industry accepted security sleeves.
- RCA connector series have gold plated interfaces.



**BNC**



**F male**



**RCA**

**Ordering Information**

Part Number	Color Code	Cable Type	Braid Coverage	Pkg. Qty	Prep. Tool	Compression Tool
GAF-UE-M	Red	Series Mini	60% to Trishield	50 pieces	G-CPT-7538	<b>Note 2</b>
GAF-UE-MQ	Orange	Series Mini	Quad	50 pieces	G-CPT-7538	<b>Note 2</b>
GA-RCA-UE-59	Black	Series 59	60% to Trishield	50 pieces	<b>Note 1</b>	G-CPLCCT-SLM (Silver Tip)
GA-RCA-UE-59Q	Green	Series 59	Quad	50 pieces	<b>Note 1</b>	G-CPLCCT-SLM (Silver Tip)
GA-RCA-UE-6	Gold	Series 6	60% to Trishield	50 pieces	<b>Note 1</b>	G-CPLCCT-SLM (Silver Tip)
GA-RCA-UE-6Q	Silver	Series 6	Quad	50 pieces	<b>Note 1</b>	G-CPLCCT-SLM (Silver Tip)
GA-RCA-UE-M	Red	Series Mini	60% to Trishield	50 pieces	G-CPT-7538	G-CPLCCT-SLM (Silver Tip)
GA-RCA-UE-MQ	Orange	Series Mini	Quad	50 pieces	G-CPT-7538	G-CPLCCT-SLM (Silver Tip)
GA-BNC-UE-59	Black	Series 59	60% to Trishield	50 pieces	<b>Note 1</b>	G-CPLCCT-SLM (Silver Tip)
GA-BNC-UE-59Q	Green	Series 59	Quad	50 pieces	<b>Note 1</b>	G-CPLCCT-SLM (Silver Tip)
GA-BNC-UE-6	Gold	Series 6	60% to Trishield	50 pieces	<b>Note 1</b>	G-CPLCCT-SLM (Silver Tip)
GA-BNC-UE-6Q	Silver	Series 6	Quad	50 pieces	<b>Note 1</b>	G-CPLCCT-SLM (Silver Tip)
GA-BNC-UE-M	Red	Series Mini	60% to Trishield	50 pieces	G-CPT-7538	G-CPLCCT-SLM (Silver Tip)
GA-BNC-UE-MQ	Orange	Series Mini	Quad	50 pieces	G-CPT-7538	G-CPLCCT-SLM (Silver Tip)

**Notes**

**Cable Preparation Tools:**

**Note 1** G-SDT-596-250  
G-CPT-6590,  
or equivalent

**Compression Tools:**

**Note 2** G-CAT-UNIVERSAL-FX  
G-CPLCCT-SLM  
(Silver Tip),  
or equivalent

**Corning Cabelcon ApS**  
Broadband Products

Industriparken 10  
DK-4760 Vordingborg, Denmark

phone: +45 55 98 55 99

fax: +45 55 98 55 04

website: [www.cabelcon.dk](http://www.cabelcon.dk)  
e-mail: [cabelcon@cabelcon.A/S](mailto:cabelcon@cabelcon.A/S)

For information on "F" feedthru UltraEase for 59 and 6 series cables, see product information G-1400-642