

3rd Quarter  
2006

## CONTENTS

### Product News

**New CX3 Compression  
Connectors 3.5/12M & 5/8MU**

**Compression Tool CX3 All Size**

**HQ™ Family Enlargement**

### Article

**Moisture Proof Satellite Dish  
Installation**

**IMD - A Key Measurement on  
Standard Data Sheets**

### Announcements

**Increased Raw Material Prices**

**Upcoming Exhibitions**

#### Contact

cabelcon@cabelcon.dk

## Product News

### New CX3 Compression Connectors 3.5/12M and 5/8MU



*3.5/12M CX3 & 5/8MU RG11 compression connectors*

These connectors are now also available as CX3 compression connectors (for RG11 cables only). The installation is fast, simple and easy using our standard RG11 Rotary Cable Stripper (98501102) and a new special designed compression tool (98029073).

The features include Cabelcon's unique CX3 push-pin technology to ensure fool-proof installation. This includes a strong gripping force on the inner conductor and secures the connector is correctly mounted before compression.

The mechanical and electrical performance is excellent - as with the other CX3 compression products. The connectors are waterproof, tested to 30 meters/8 hours.

Furthermore the new members of the CX3 family are small in size, light in weight and competitively priced!

Data sheets can be supplied on request.

The new connectors and the new compression tool will be available from end October.

Item description: 3.5/12M-RG11-CX3  
99909520

Item description: 5/8MU-RG11-CX3  
99909525

### Compression Tool CX3 All Size

A new CX3 compression tool has been added to Cabelcon's productline. This "universal" tool can be used for all Cabelcon CX3 sizes – RG 6/7/11 and 59 and all types of CX3 interfaces: F, IEC and BNC. It also works for Gilbert's range of UltraEase™ F-connectors.

This tool is easy to work with as only very little compression force is required.

Compression tool CX3 all size  
Item number: 98029072.



*Compression tool CX3 All Size*

## Product News

### HQ™ Family Enlargement

Corning Cabelcons well-known HQ™ family includes among others the F and IEC straight and angle adapters, grounding blocks and not least the original F-81 HQ™ adapter.

From October 06 a new family member – the 180° FF-FF HQ™ adapter – will be available as well. This adapter is intended for use behind wall outlets and in other places where the maximum allowable bending radius for the drop cable cannot be kept within limits.



The inner conductor on most of the HQ™ connectors is gold plated for maximum performance and the electrical specifications exceed most competitive products.

Item description: 180-FF-FF-HQ  
Item no.: 86555500

Also a new bulkhead jack F-61 HQ™ with excellent specifications is added to the range.

Item description: F-61-HQ  
Item no.: 99900511



Examples of F HQ™ connectors

Our range of HQ™ adapters and connectors are available in several versions including OEM versions. Please consult our Internet catalogue – or contact one of our sales offices for more information.

## Article

### Moisture Proof Satellite Dish Installations



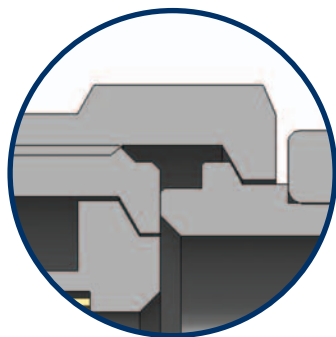
Many satellite dishes have been installed with screw-on connectors, which have caused high service call-back rates - due to installation errors and moisture intrusion.

An absolutely safe, easy and moisture proof installation is now possible using Cabelcons CX3 F-connectors.

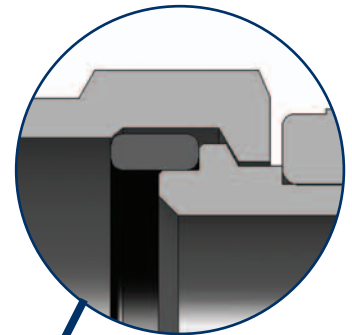
The moisture proof installation is made possible thanks to the built-in custom designed O-ring. With the CX3 there is

no more need for additional moisture protection! This leaves the installer with an easy and safe installation – and a minimized risk for service callbacks.

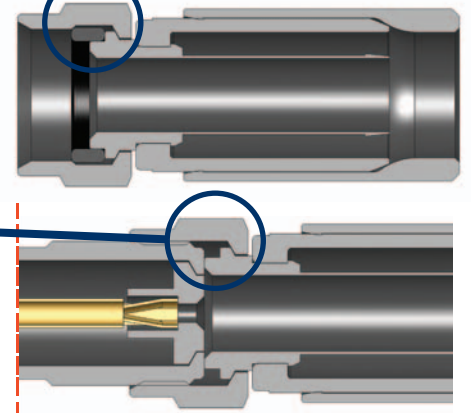
The moisture proof CX3 design (tested to 30 meter/8 hours) – is of course also an excellent choice for all in – and out-door drop cable installations.



O-ring after installation



O-ring before installation



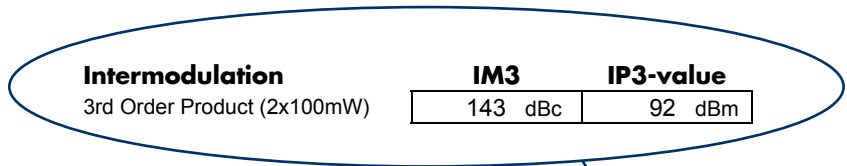
# Article

## IMD - A Key Measurement on Standard Data Sheets

Within recent years the demands for increased network performance have been continuously growing, driven by the addition of digital network services into the former CATV networks.

One of the key parameters in Triple Play Networks is IMD – “Intermodulation Distortion”. Installers and technicians know that IMD problems often are caused by poor connections. The main reasons are corrosion due to moisture ingress, faulty installation or the use of low quality connectors.

Thanks to Corning Cabelcon’s strong traditions for design, test and documentation, our connectors are doing extremely well in comparison tests, where not least the IMD is a vital factor.



Most Cabelcon data sheets have shown data for the IMD performance for several years.

Two years ago we also added the IP3 measurement to our datasheets for easier and true comparison to competing brands of connectors. Please refer to our Newsletter Q2 2004 for details on IP3 (can also be downloaded from our website).

Corning Cabelcon's IMD measurements follow the standards IEC62037-2 and IEC 62037-3.

**DATA SHEET**

Item no. 2005010 Connector type 888011C33 3.3  
 For cable 888011C33 DuplexCoaxial

Frequency Range 0.3 - 3000 MHz  
 Impedance (Nom.) 50 Ohms  
 Aging Rating 3  
 Transfer Impedance (Cable) 2.7 dB @ 100 MHz  
 Shielding Effectiveness 25 dB @ 200 MHz

All tests performed using instruments calibrated in accordance to our ISO 9001 certification.  
 Further technical specifications and installation instructions can be obtained on request.



Return Loss	Better than	Typical	Worse than
0.3 - 500 MHz	-20 dB	-11.8 dB	-0.05 dB
500 - 800 MHz	-20 dB	-11.8 dB	-0.05 dB
800 - 1000 MHz	-20 dB	-11.8 dB	-0.05 dB
1000 - 1750 MHz	-20 dB	-11.8 dB	-0.10 dB
1750 - 2100 MHz	-20 dB	-11.8 dB	-0.10 dB
2100 - 3000 MHz	-20 dB	-11.8 dB	-0.14 dB

Insertion Loss Max.	Better than	Typical	Worse than
0.3 - 500 MHz	-0.05 dB	-0.02 dB	-0.05 dB
500 - 800 MHz	-0.05 dB	-0.02 dB	-0.05 dB
800 - 1000 MHz	-0.05 dB	-0.02 dB	-0.05 dB
1000 - 1750 MHz	-0.05 dB	-0.02 dB	-0.05 dB
1750 - 2100 MHz	-0.05 dB	-0.02 dB	-0.05 dB
2100 - 3000 MHz	-0.05 dB	-0.02 dB	-0.05 dB

Temperature	Intermodulation	IM3	IP3-value
Installing	3rd Order Product (2x100mW)	143 dBc	92 dBm
Operating			
Storing			

Sealing Test (IEC 60320-1) IP-33 1 meter (24 hours) Inner Conductor Resistance max @ 1 A DC <+1 mΩ

Max. Tensile Strength Overall 400 N Base Material Body Parts Brass CuZn30Pb3 Inner Brass CuZn30Pb3

Dielectric Strength AC Test Voltage 2.7 kV Plating Body Parts NiPd-S Inner NiPd-S

O-rings EPDM Test performed by Jan M. Christen

Insulators DE / PCW Date of release August 19, 2003

Remarks

ISO 9001 certified

**CABELCON**  
C O N N E C T O R S

Corning Cabelcon A/S, Industriparken 10, DK-4700 Vordingborg  
 Tel: +45 55 98 55 00 Fax: +45 55 98 55 04  
 E-mail: Sales@cabelcon.dk www.cabelcon.dk

## Announcements

### Upcoming exhibitions

**FDA**  
 Brædstrup, Denmark  
 17 - 18 November 2006

**Cable & Satellite RUSSIA 2007**  
 Moscow, Russia  
 February 2007

In addition to these exhibitions, Cabelcon's products can be found on many other exhibitions around the world - represented by our local distributors and dealers.

### Increased raw material prices

Prices for raw materials – including oil and metals have risen to very high levels the recent year. Unfortunately it also includes brass - the main raw material for the manufacturing of connectors.

From the front page of our website [www.cabelcon.dk](http://www.cabelcon.dk) you can find a link to the latest information on copper prices.

Distributor:

